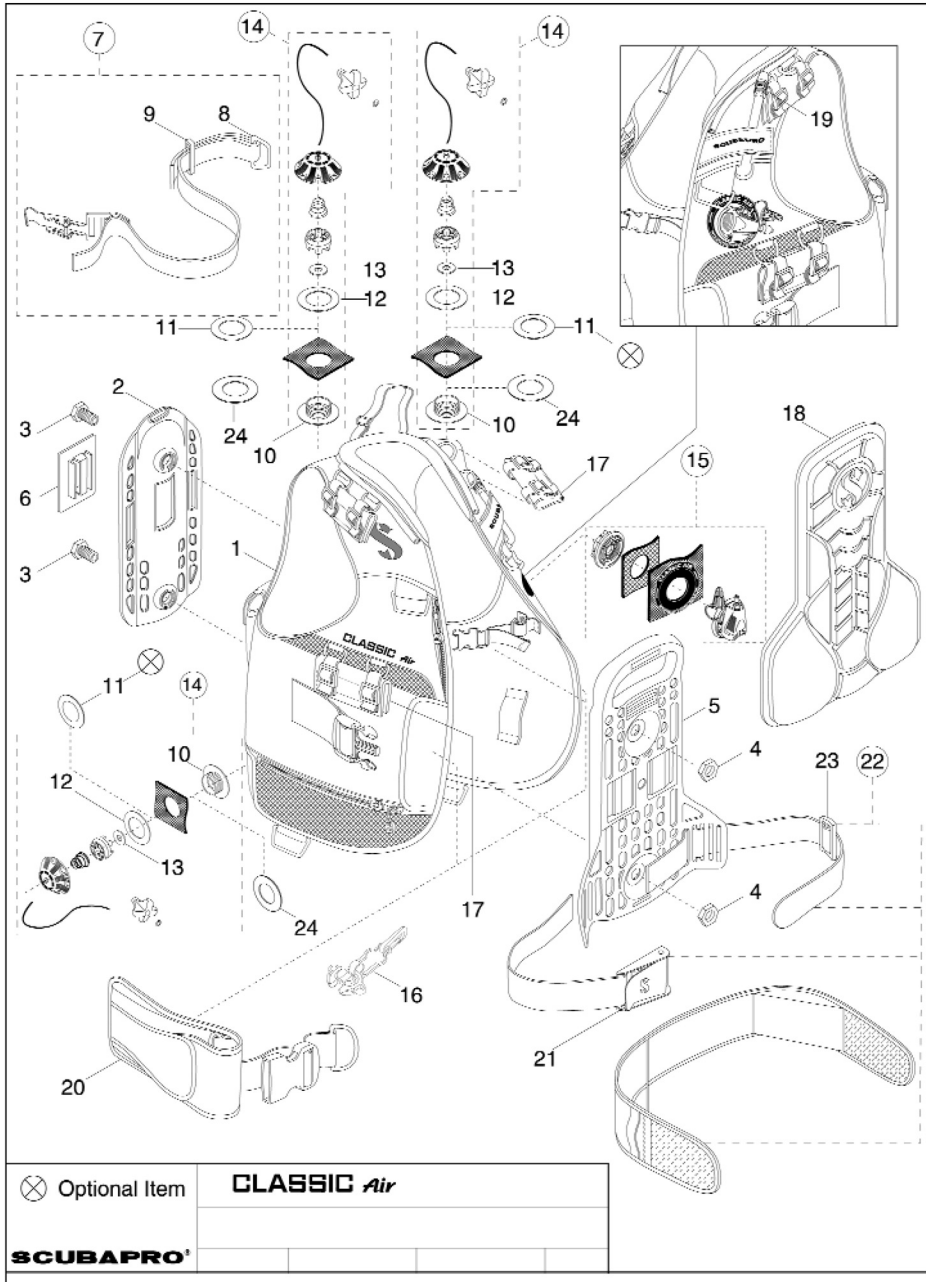


# Classic Air Schematic

## Notes



Po.	Part #	Description
1	N/A	Main Assembly
2	21.180.102	Back Plate
3	21.180.106	Bushing Threaded
4	01.121.115	Nut
5	20.192.000	Back Pack
6	20.140.103	Tank Retainer
7	20.135.007	Band, Supercinch Assy.
8	01.080.126	Trapezoidal Ring
9	2000.1102	Looplock, Plastic
10	21.001.104	Body, Valve
11	01.070.304	Washer, Soft
12	21.001.105	Washer
13	21.001.128	Seal
14	21.200.003	Overpress. Valve Assy.
15	68.021.100	Integrated Power Inflator
16	01.097.134	Octopus Retainer
17	21.129.156	Removeable Hose Retainer (XS-S)
	21.129.356	Removeable Hose Retainer (M-XL)
18	21.097.420	Back Pad, Soft (all sizes)
19	21.230.022	Valve, Oral Inflator
20	23.702.000	Weight Pouch
21	23.429.002	Buckle Assy.
22	1999.3010	Cummbund Assy. XS
	1999.3011	Cummbund Assy. S
	1999.3012	Cummbund Assy. M
	1999.3013	Cummbund Assy. L
	1999.3120	Cummbund Assy. XL
23	1248.0000	2" Slide
24	01.070.304	Seat, Blocs. Neoprene Gasket